



Suzuki SV 650 (05 - 06)

Slip-On SP Series Exhaust System

Akrapovic Slip-On SP Series Exhaust System

for the Suzuki SV 650 (2005 - 2006)

We offer an Akrapovic SLIP-ON SP series exhaust system for the popular twin-valve 650 for riders who are looking for a basic exhaust system modification. The system is an excellent combination of performance and affordability, and stands out from the crowd due to its exceptional build quality. It delivers a throatier, racing-style sound. Not approved for street use.

PERFORMANCE

Measurements of the Akrapovic SLIP-ON SP series system on the SUZUKI GSF 650 S BANDIT (without noise damper):

Power & Torque: the system has an instantly noticeable effect on the power and torque curves. The power is increased throughout the entire rpm range, especially in the middle and the top of the range. We measured 71.7 HP at 9250 rpm, and max. increased power was 3.1 HP at 6100 rpm. The torque measurements also receive a boost, especially in the middle of the range where it is most useful for everyday riding.

CONFIGURATION

The Akrapovic SLIP-ON SP series system for the Bandit 650 is composed of a cylindrical stainless steel link pipe attached to the stock header assembly with a sleeve joint secured with a metal clamp. At the other end the link pipe is also attached to the muffler with a sleeve joint, secured with a silicon-shielded spring. The muffler inlet and outlet cap and inner perforation are made of stainless steel, while the outer sleeve is made of titanium. The muffler is attached to the frame with an Akrapovic carbon-fiber clamp. The muffler comes with a built-in noise damper, which however is not approved for street use.

	PERFORMANCE		
	stock	AKRAPOVIC	max. increased power
max. rear wheel power HP / rpm (measured on Dynojet ATV)	70 / 9150	71.7 / 9250	3.1 / 6100

	CONFIGURATION		
	header tubes	collector	link pipe
material	-	-	STAINLESS STEEL
tube shape	-	-	CYLINDRICAL

interference crossover tubes	-	lambda sensor	NO	
header tube inner sleeves	-	header tube flanges	-	
header tubes - collector connection	-	collector / header tube - link pipe connection	SLEEVE JOINT + SILICON SHIELDED SPRING	
link pipe - muffler connection	WELDED	muffler inlet cap / outlet cap	STAINLESS STEEL / STAINLESS STEEL	
muffler metal interior	STAINLESS STEEL	muffler outer sleeve	TITANIUM	
muffler clamp	CARBON-FIBER	muffler bracket	NO	
muffler insert	EU	NOISE DAMPER	heat shield	NO
	US	-	catalytic converter	NO

	ADDITIONAL DATA				
	stock	AKRAPOVIC		difference	
		S.S. link pipe	TITANIUM link pipe	stock - S.S.	stock - titanium
weight comparison (kg)	5.63	2.14	-	3.49	-
noise measurements (dB / rpm)	stock		AKRAPOVIC		
	91 / 4500		94.4 / 4500		
possibility of periodic service without removing A.E.S.	oil		oil filter		
	YES		YES		
legal for street use	NO				

Technical specifications of Akrapovic exhaust systems and related products subject to change without notice.

Product code: 107440 (SS-S6SO4-T)

Akrapovic Slip-On SP Series Exhaust System

for the Suzuki SV 650 (2005 - 2006)



CARBON-FIBER
MUFFLER CLAMP

Road
Program

Product code: 107440 (SS-S6SO4-T)

Akrapovic Slip-On SP Series Exhaust System for the Suzuki SV 650 (2005 - 2006)



Akrapovic Exhaust System Technology copyright 2006, all rights reserved

Road
Program

Product code: 107440 (SS-S6SO4-T)

Akrapovic Slip-On SP Series Exhaust System for the Suzuki SV 650 (2005 - 2006)

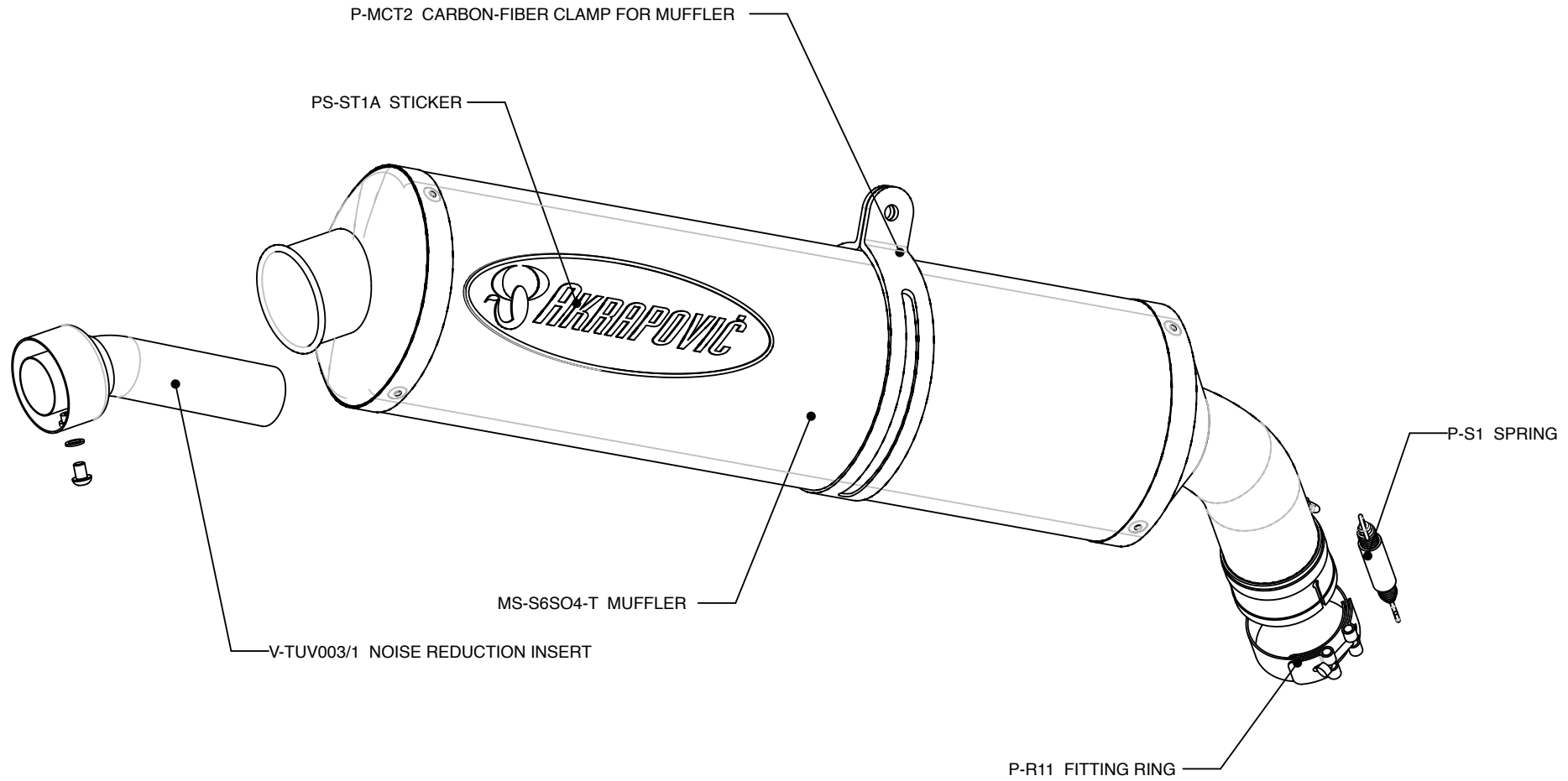


Akrapovic Exhaust System Technology copyright 2006, all rights reserved

Road
Program

Product code: 107440 (SS-S6SO4-T)

Akrapovic Slip-On SP Series Exhaust System for the Suzuki SV 650 (2005 - 2006)

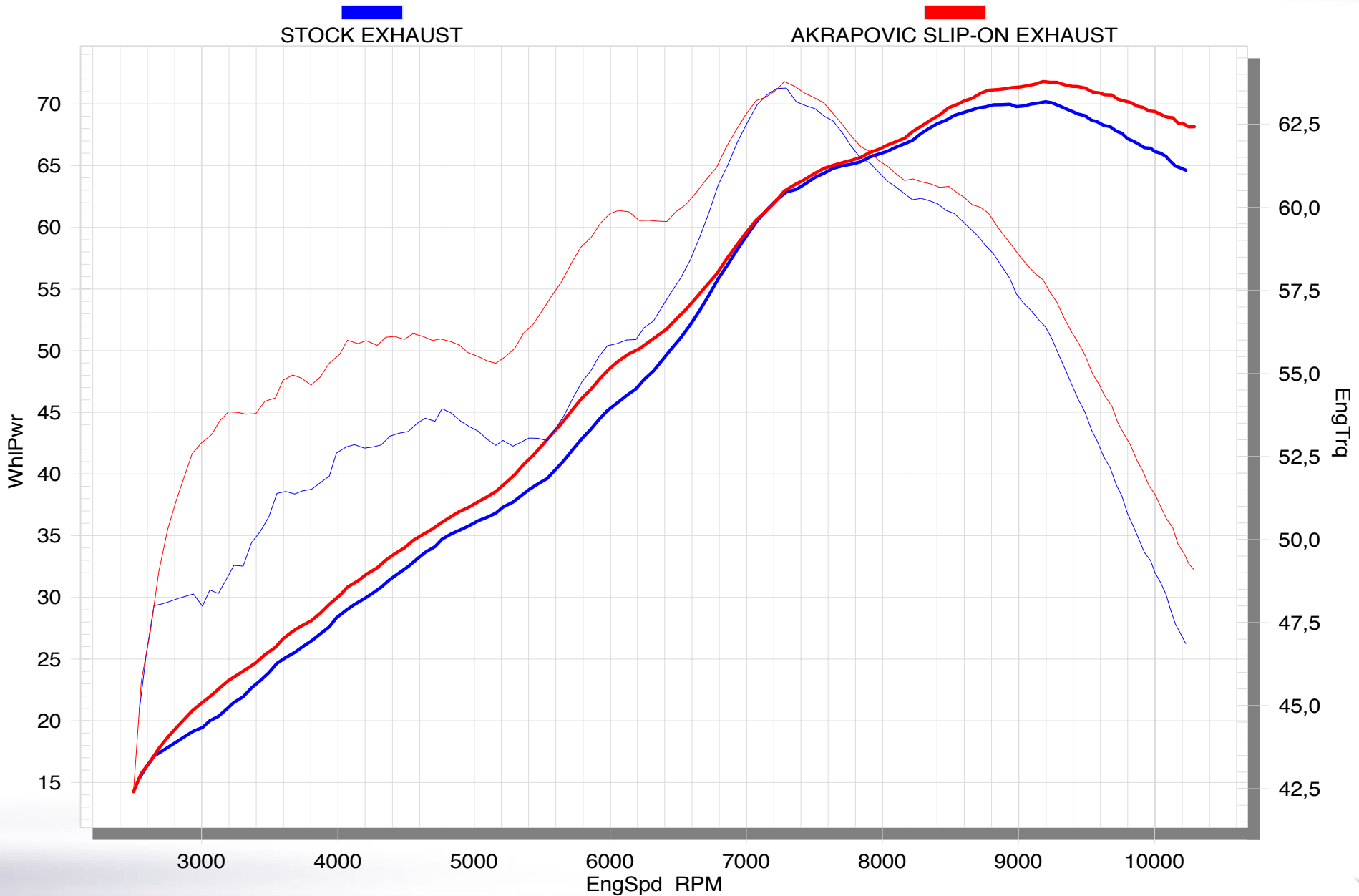


Akrapovic Exhaust System Technology copyright 2006, all rights reserved

Road
Program

Product code: 107440 (SS-S6SO4-T)

Akrapovic Slip-On SP Series Exhaust System for the Suzuki SV 650 (2005 - 2006)



Akrapovic Exhaust System Technology copyright 2006, all rights reserved

Road Program

Product code: 107440 (SS-S6SO4-T)

